

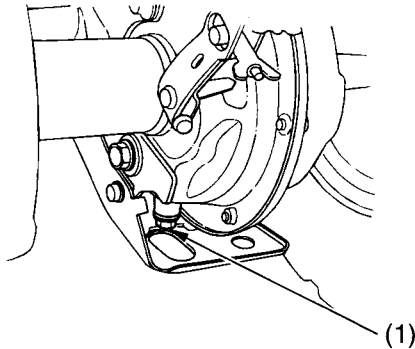
Brakes

1. Apply the brake control (lever and pedal) and check the movement of the arrow (1) on the brake arm (2).
2. Replace the brake shoe if the arrow aligns with the reference mark (3) on the brake panel upon full application of the brake. If replacement is necessary, see your Honda dealer.

Draining Water from Brakes

Refer to *Safety Precautions* on page 84.

REAR



(1) brake drain bolt

1. Make sure the engine is off and the parking brake is set.
2. Remove the brake drain bolt (1) from the bottom of the rear brake cover.

If any water drains, the brake seals must be replaced by your Honda dealer as soon as possible.