

# Drive Chain

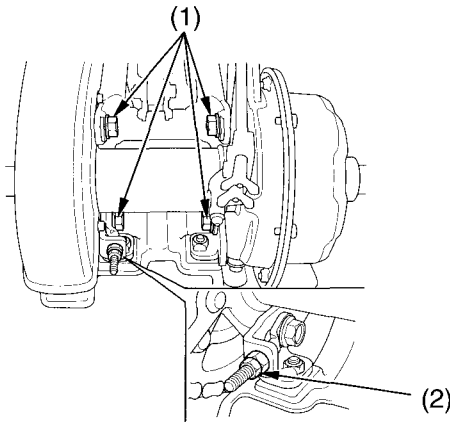
## Adjustment

Refer to *Safety Precautions* on page 84 .

1. To adjust slack, loosen the rear axle holder fixing bolts (1).
2. Turn the adjusting nut (2) to decrease or increase chain slack.
3. Retighten the rear axle holder fixing bolts.
4. Rear axle holder fixing bolts torque:  
88 N·m (9.0 kgf·m, 65 lbf·ft)

If a torque wrench is not used for this installation, see your Honda dealer as soon as possible to verify proper assembly.

### REAR



- (1) rear axle holder fixing bolts  
(2) adjusting nut