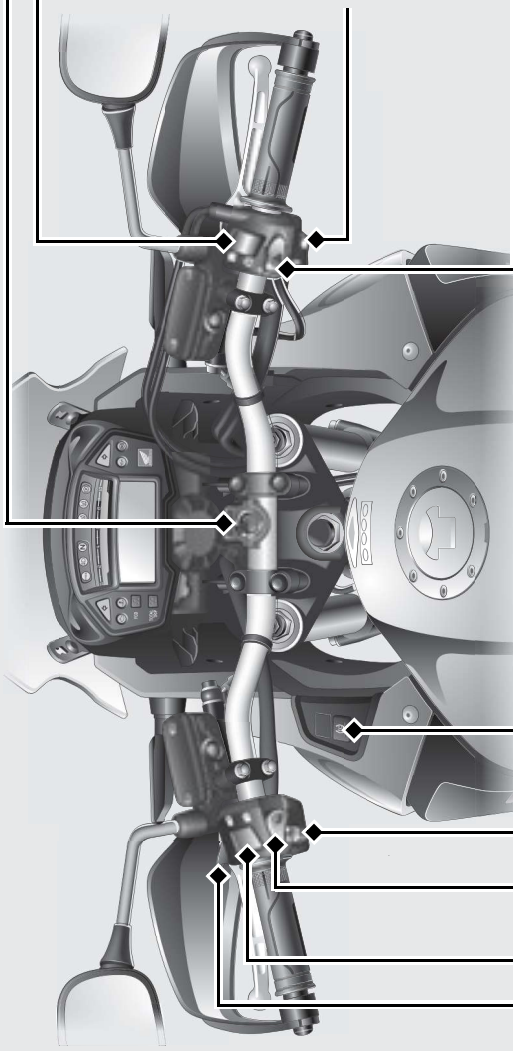



Switches

(VFR1200X)



Engine stop switch

Should normally remain in the RUN  position.

- ▶ In an emergency, switch to the OFF  position to stop the engine.



Start button

Headlight turns off when operating the starter motor.



TCS (Traction Control System) OFF switch

Press and hold to turn the TCS on and off.

- ▶ The TCS OFF indicator comes on when TCS is turned off.



Turn signal switch

- ▶ Pressing the switch turns the turn signal off.



Horn button

Headlight dimmer switch

-  : High beam
-  : Low beam

Passing light control switch

Flashes the high beam headlight.



Hazard switch

Switchable when the ignition switch is on. Can be turned to off regardless of the ignition switch position.

- ▶ The signals continue flashing with the ignition switch is OFF or LOCK after the hazard switch is on.