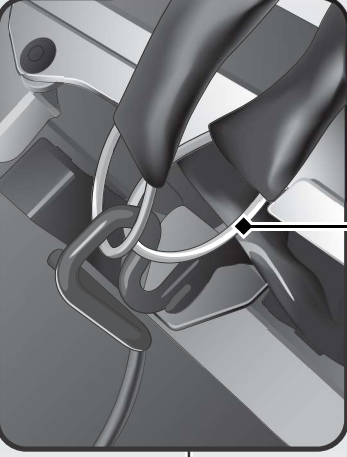
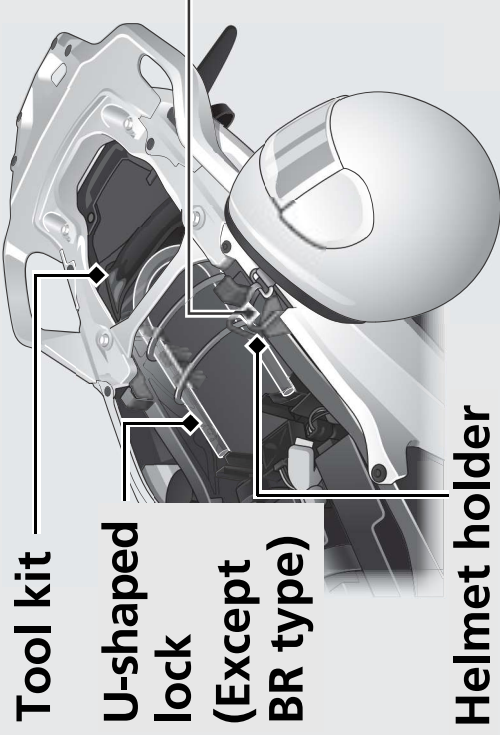


# Storage Equipment

A helmet holder, a helmet set wire (in the tool kit) and a tool kit are located under the seat. There is also space to store a U-shaped lock (Except BR type). The document bag is located on the underside of the seat.



Helmet set wire



Document bag

## Helmet holder

- ▶ The U-shaped lock is held in place on the rear fender by a rubber strap.
- ▶ Use the helmet holder only when parked.
- ▶ Some U-shaped locks may not fit in the compartment due to their size or design.

## Removing the seat. P.63

## WARNING

Riding with a helmet attached to the holder can interfere with the rear wheel or suspension and could cause a crash in which you can be seriously hurt or killed.

Use the helmet holder only while parked. Do not ride with a helmet secured by the holder.