

When removing and installing the wheel, be careful not to damage the wheel speed sensor and pulser ring.

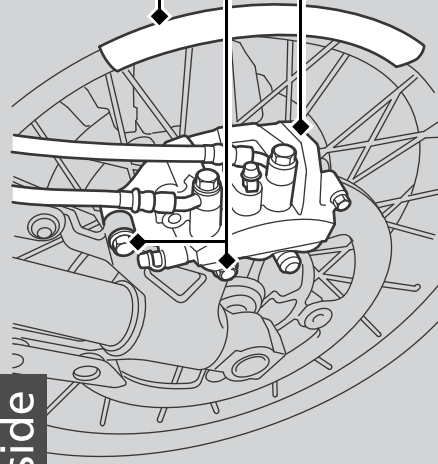
Front Wheel

Removal

1. Park on a firm, level surface.
2. Cover both sides of the front wheel and brake caliper with protective tape or cloth.
3. On the left side, remove the mounting bolts and remove the brake caliper.

4. On the right side, remove the mounting bolts and remove the brake caliper.
 - Support the brake caliper assembly so that it doesn't hang from the brake hose. Do not twist the brake hose.
 - Avoid getting grease, oil, or dirt on the disc or pad surfaces.
 - Do not pull the brake lever or push the brake pedal while the brake caliper is removed.
 - Take care to prevent the brake caliper from scratching the wheel during removal.

Left side



Right side

