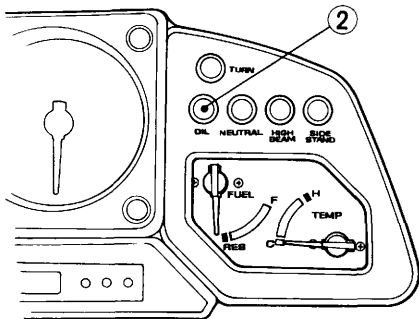


CAUTION:

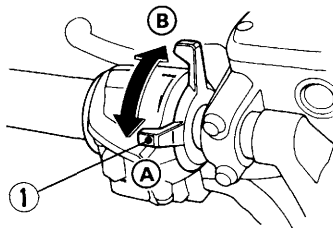
- * The red oil pressure warning light (2) should go off a few seconds after the engine starts. If the light stays on, stop the engine immediately and check engine oil level. Operating the engine with insufficient oil pressure can cause serious engine damage.



(2) Oil pressure warning light

Starting Procedure

1. Pull the choke lever (1) back to the fully open position (A), if the engine is cold.
2. Press the starter button.
3. Warm up the engine by opening and closing the throttle until it runs smoothly, with the choke closed.



(1) Choke lever

(A) Fully open

(B) Fully closed