

## SEAT/DOCUMENT BAG

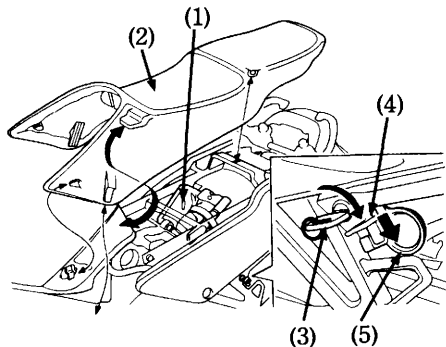
The document bag (1) is in the storage compartment under the seat (2).

1. Insert the ignition key (3) into the lock (4) and turn it clockwise.
2. Pull the seat lock lever (5) downward to unlock the seat.

This owner's manual and other documents should be stored in the vinyl bag. When washing your motorcycle, be careful not to flood this area with water.

### CAUTION:

- \* Be sure the seat is locked securely in position after installation.



- (1) Document bag
- (2) Seat
- (3) Ignition key

- (4) Lock
- (5) Lock lever