

Rear Brake Fluid Level:

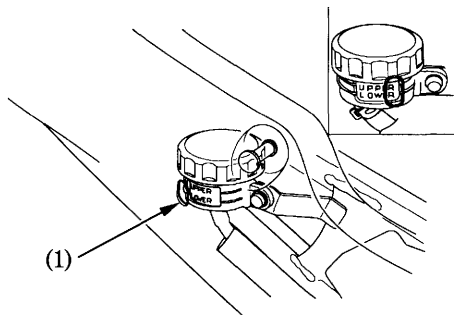
▲WARNING

- * Brake fluid may cause irritation. Avoid contact with skin or eyes. In case of contact, flush thoroughly with water and call a doctor if your eyes were exposed.
- * **KEEP OUT OF REACH OF CHILDREN.**

CAUTION:

- * Handle brake fluid with care because it can damage plastic and painted surfaces.
- * When adding brake fluid, be sure the reservoir is horizontal before the cap is removed or brake fluid may spill out.
- * Use only DOT 4 brake fluid from a sealed container.
- * Never allow contaminants such as dirt or water to enter the brake fluid reservoir.

Check the brake fluid level from the inspection window (1) of the right side cover with the motorcycle in an upright position.



(1) Inspection window