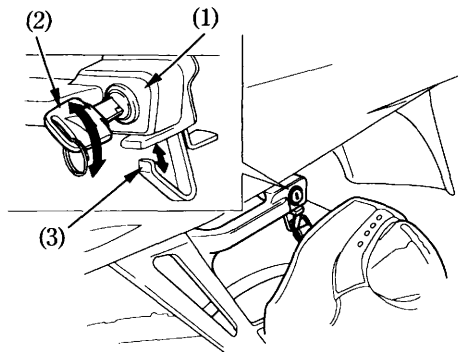


HELMET HOLDER

The helmet holder (1) is on the left side below the seat. Insert the ignition key (2) and turn it clockwise to unlock. Hang your helmet on the holder pin (3). Turn the key counterclockwise to lock the holder and then remove the key.

▲WARNING

- * The helmet holder is designed for helmet security while parked. Do not ride with a helmet attached to the holder; the helmet may interfere with safe operation and result in loss of control.
- * As the helmet holder and seat lock are combined, confirm that locking is properly completed by lifting up the seat after using helmet holder.



(1) Helmet holder
(2) Ignition key

(3) Holder pin