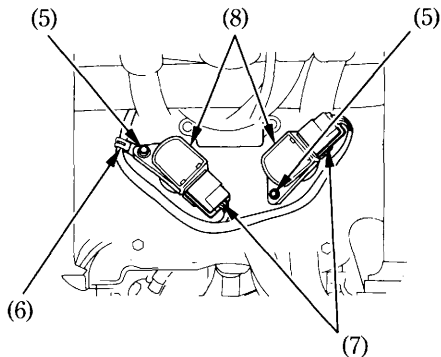
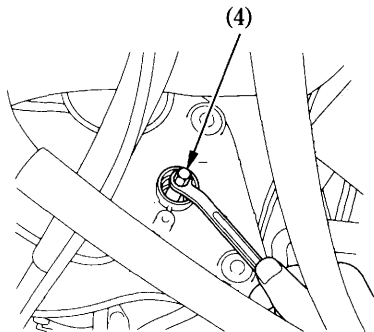


- To remove the spark plug from the front cylinder, remove the bolts (5) and the wire harness holder (6).
- Disconnect the ignition coil connectors (7).
- Remove the ignition coils (8) from the spark plugs.



- (5) Bolts
- (6) Wire harness holder
- (7) Ignition coil connectors
- (8) Ignition coils

- Clean any dirt from around the spark plug bases.
Remove the spark plugs using the spark plug wrench (4) furnished in the tool kit.



- (4) Spark plug wrench