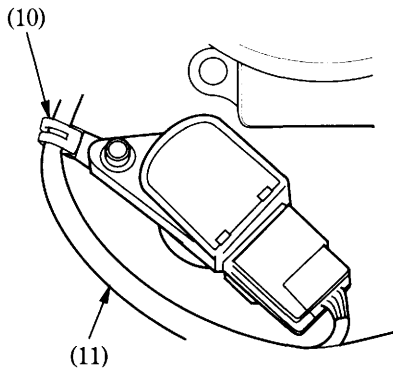


15. Reinstall the ignition coils.
16. Connect the ignition coil connectors to the ignition coils as before removal.
17. Install the wire harness holder (10) to the right side of front cylinder and install and tighten the bolts.
18. Install the remaining parts in the reverse order of removal.
19. Hold the ignition coils wire harness (11) in the right side of front cylinder with the wire harness holder.



- (10) Wire harness holder
(11) Wire harness