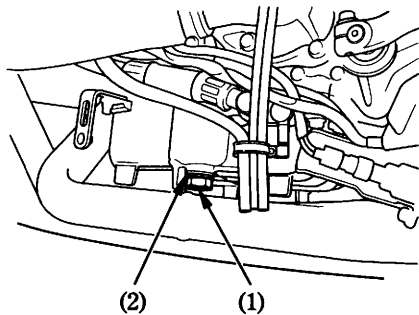
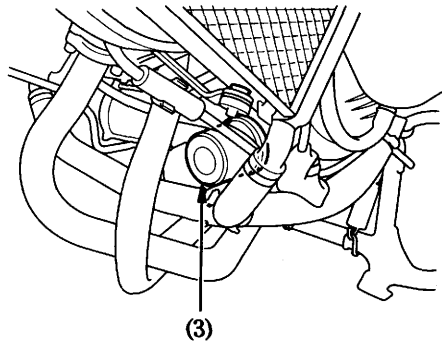


1. Remove the front cowl (page 64 ) and the inner cowl (page 65 ).
2. To drain the oil, remove the oil filler cap, oil drain plug (1) and sealing washer (2).



(1) Oil drain plug      (2) Sealing washer

3. Remove the oil filter (3) with a filter wrench and let the remaining oil drain out. Discard the oil filter.



(3) Oil filter