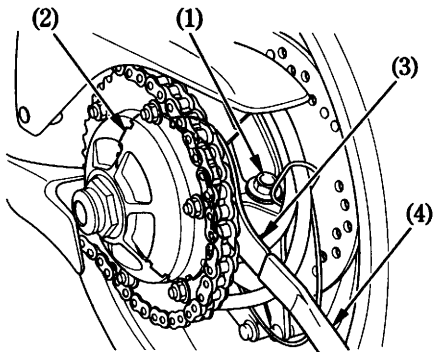


### Adjustment:

Drive chain slack should be checked and adjusted, if necessary, every 1,000 km (600 miles). When operated at sustained high speeds or under conditions of frequent rapid acceleration, the chain may require more frequent adjustment.



- (1) Bearing holder pinch bolt    (3) Pin spanner  
(2) Bearing holder                (4) Extension bar

If the drive chain requires adjustment, the procedure is as follows:

1. Place the motorcycle on its center stand with the transmission in neutral and the ignition switch OFF.
2. Loosen the bearing holder pinch bolt (1).
3. Turn the bearing holder (2) clockwise or counterclockwise to obtain the proper chain slack with the pin spanner (3) and extension bar (4).
4. Tighten the bearing holder pinch bolt to specified torque.

Bearing holder pinch bolt torque:

74 N·m (7.5 kgf·m , 54 lbf·ft)

If a torque wrench is not used for this installation, see your Honda dealer as soon as possible to verify proper assembly.

5. Recheck drive chain slack.  
25 – 35 mm (0.98 – 1.38 in)