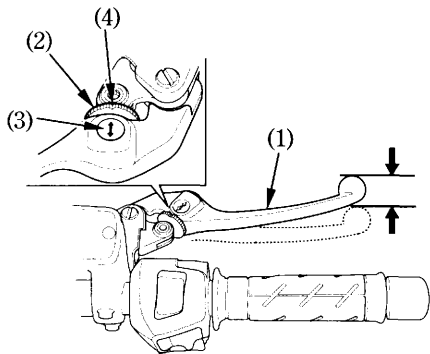


### Front Brake Lever:

The distance between the tip of the brake lever (1) and the grip can be adjusted by turning the adjuster (2).

#### **CAUTION:**

- \* Align the arrow (3) on the brake lever with index mark (4) on the adjuster.



- (1) Brake lever
- (2) Adjuster

- (3) Arrow
- (4) Index mark

### Rear Brake

#### Rear brake fluid level:

#### **▲WARNING**

- \* Brake fluid may cause irritation. Avoid contact with skin or eyes. In case of contact, flush thoroughly with water and call a doctor if your eyes were exposed.
- \* **KEEP OUT OF REACH OF CHILDREN.**

#### **CAUTION:**

- \* Handle brake fluid with care because it can damage plastic and painted surfaces.
- \* When adding brake fluid, be sure the reservoir is horizontal before the cap is removed or brake fluid may spill out.
- \* Use only DOT 4 brake fluid from a sealed container.
- \* Never allow contaminants such as dirt or water to enter the brake fluid reservoir.