

### Installation Note:

To install the rear wheel, reverse the removal procedure. Torque the rear wheel nuts to the specified torque.

Rear wheel nuts torque:

108 N·m (11.0 kgf·m , 80 lbf·ft)

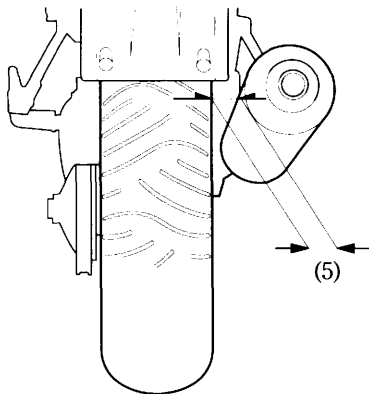
Check the clearance (5) between the rear tyre and the muffler. the clearance should be :

25–35 mm (1.0–1.4 in)

After installing the wheel, apply the brake several times and then check if the wheel rotates freely. Recheck the wheel if the brake drags or if the wheel does not rotate freely.

### **▲WARNING**

- **If a torque wrench was not used for installation, see your Honda dealer as soon as possible to verify proper assembly. Improper assembly may lead to loss of braking capacity.**



(5) Clearance