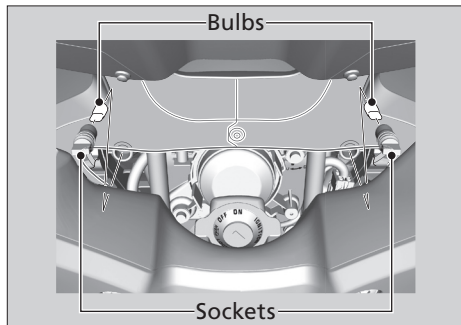


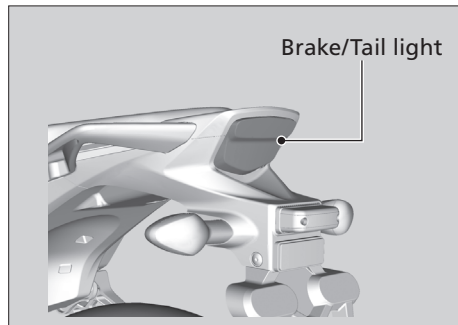
Electrical Trouble ► Burned-out Light Bulb

Position Light



1. Pull the socket and remove it.
2. Pull out the bulb without turning.
3. Install a new bulb and parts in the reverse order of removal.

Brake/Tail light



The brake and tail light uses several LEDs. If there is a LED which is not turned on, see your dealer for this service.