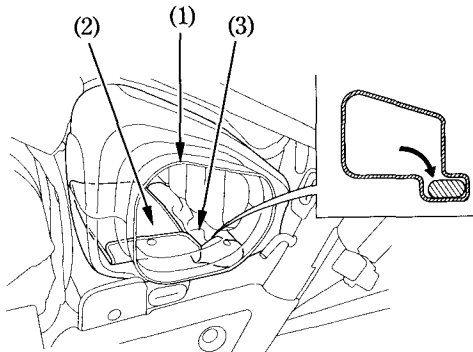


## STORAGE COMPARTMENT

The storage compartment is located behind the left side cover. See page 36 to remove the left side cover.

This compartment is for light weight items. This owner's manual and other documents should be stored in this compartment. When washing your motorcycle, be careful not to flood this area with water.



- (1) Storage compartment
- (2) Owner's manual
- (3) Tool kit