

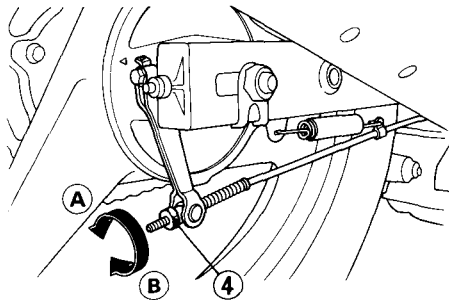
4. Apply the brake several times and check for free wheel rotation when released.

**NOTE:**

- \* If proper adjustment cannot be obtained by this method, see your authorized Honda dealer.

Other Checks:

Make sure the brake rod, brake arm, spring and fasteners are in good condition.



(4) Adjusting nut

(A) Increase free play

(B) Decrease free play