

## BATTERY

(Refer to the maintenance precautions on page 55).

It is not necessary to check the battery electrolyte level or add distilled water as the battery is a maintenance-free (sealed) type. If the battery loses electrolyte and/or seems weak (causing hard starting or other electrical troubles), contact your authorized Honda dealer.

### CAUTION:

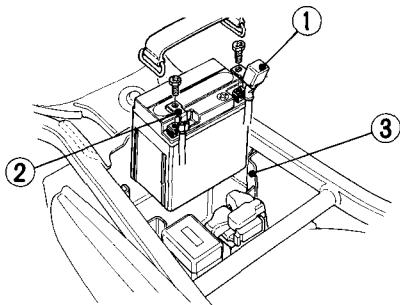
- \* Do not attempt to remove the sealing caps from the cells—you may damage the battery.
- \* When this motorcycle is to be stored for an extended period of times, remove the battery and charge it fully. Then store it in a cool, dry place. If the battery is to be left in the motorcycle, disconnect the negative cable from the battery terminal.

### ▲ WARNING

- \* Even though the battery is sealed, it still vents explosive gases. Do not allow open flames or sparks near the battery.

## Battery Removal

1. Remove the seat (page 38).
2. Disconnect the negative (-) terminal lead from the battery first, then disconnect the positive (+) terminal lead.
3. Pull out the battery from the battery box.



- (1) Positive (+) terminal lead
- (2) Negative (-) terminal lead
- (3) Battery box