
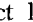




LEFT HANDLEBAR CONTROLS

Headlight Dimmer Switch (1)

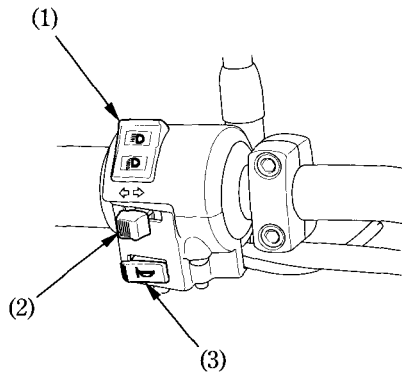
Push the headlight dimmer switch to  to select high beam or to  to select low beam.

Turn Signal Switch (2)

Move to  to signal a left turn,  to signal a right turn. Press to turn signal off.

Horn Button (3)

Press the button to sound the horn.



- (1) Headlight dimmer switch
- (2) Turn signal switch
- (3) Horn button