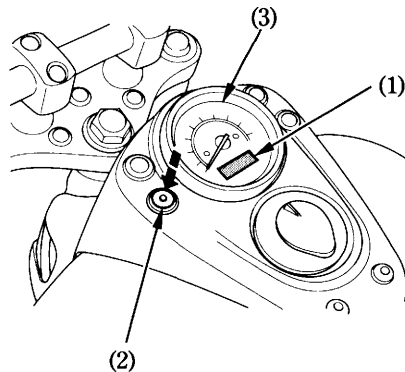


Odometer/Tripmeter Display

The display (1) has two functions, odometer and tripmeter. To select, push the button (2) on the left side of the speedometer (3).

To reset the tripmeter, hold this button (2) with the display in the tripmeter mode.



- (1) Odometer/Tripmeter display
- (2) Tripmeter reset button and
Odometer/Tripmeter select button
- (3) Speedometer