

AIR CLEANER

Refer to the Safety Precautions on page 51 .

The air cleaner should be serviced at regular intervals (page 66). Service more frequently when riding in unusually wet or dusty areas.

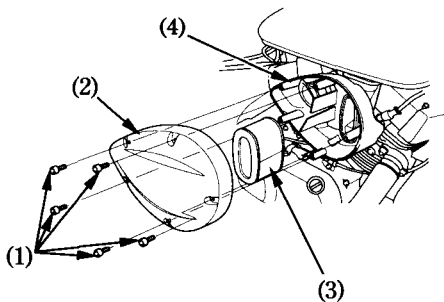
1. Remove the five bolts (1) and air cleaner housing cover (2).
2. Remove the air cleaner (3).
3. Discard the air cleaner.

Thoroughly clean the inside of the air cleaner housing (4).

4. Install a new air cleaner.

Use the Honda genuine air cleaner or an equivalent air cleaner specified for your model. Using the wrong Honda air cleaner or a non-Honda air cleaner which is not of equivalent quality may cause premature engine wear or performance problems.

5. Install the removed parts in the reverse order of removal.



- (1) Bolts
- (2) Air cleaner housing cover
- (3) Air cleaner
- (4) Air cleaner housing