

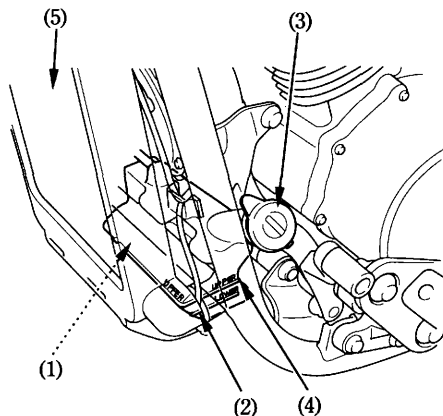
## Inspection

The reserve tank is behind the radiator (5) . Check the coolant level in the reserve tank (1) while the engine is at the normal operating temperature with the motorcycle in an upright position. If the coolant level is below the LOWER level mark (2), remove the reserve tank cap (3) and add coolant mixture until it reaches the UPPER level mark (4) . Always add coolant to the reserve tank. Do not attempt to add coolant by removing the radiator cap.

### ▲WARNING

- **Do not remove the radiator cap when the engine is hot. The coolant is under pressure and could scald you.**
- **Keep hands and clothing away from the cooling fan, as it starts automatically.**

If the reserve tank is empty, or if coolant loss is excessive, check for leaks and see your Honda dealer for repair.



- |                      |                      |
|----------------------|----------------------|
| (1) Reserve tank     | (3) Reserve tank cap |
| (2) LOWER level mark | (4) UPPER level mark |
|                      | (5) Radiator         |