

DOCUMENT COMPARTMENT

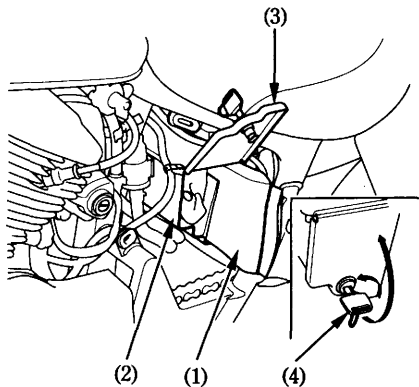
The document compartment (1) is in the compartment box (2) behind the left side cover.

Remove the left side cover (page34).

Open the compartment box cover (3), insert the ignition key (4) in to the lock and turn counterclockwise to unlock the compartment.

This owner's manual and other documents should be stored in this compartment.

When washing your motorcycle, be careful not to flood this area with water.



- (1) Document compartment
- (2) Compartment box
- (3) Compartment box cover
- (4) Ignition key