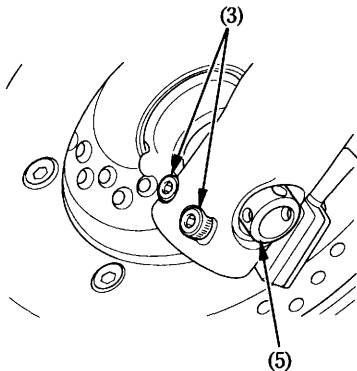
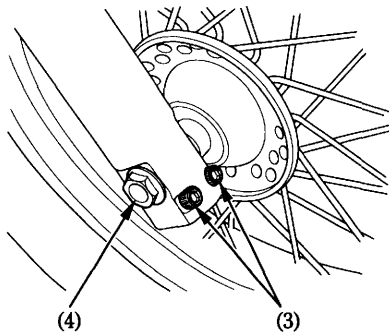


3. Loosen the right and left axle pinch bolts (3) and remove the axle bolt (4). Pull out the front axle (5). Remove the front wheel.

NOTE:

* Do not depress the brake lever when the wheel is off the motorcycle. The caliper pistons will be forced out of the cylinders with subsequent loss of brake fluid. If this occurs, servicing of the brake system will be necessary. See your Honda dealer for this service.



- (3) Axle pinch bolts
- (4) Axle bolt
- (5) Front axle