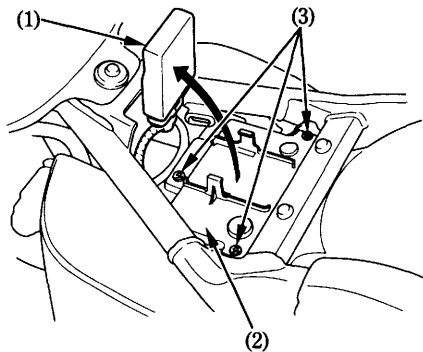


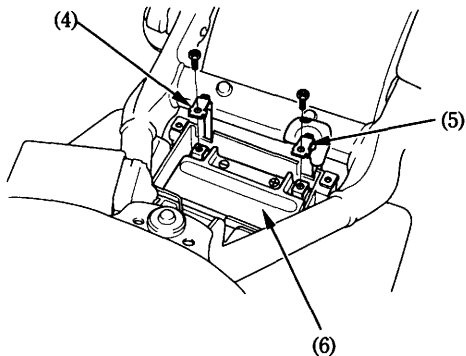
Battery Removal:

1. Remove the seat (page 36).
2. Remove the ignition control module (1).
3. Remove the battery cover (2) by removing the screws (3).
4. Disconnect the negative (-) terminal lead (4) from the battery first.



- (1) Ignition control module
- (2) Battery cover
- (3) Screws

5. Disconnect the positive (+) terminal lead (5).
6. Pull out the battery (6) from the battery box.



- (4) Negative (-) terminal lead
- (5) Positive (+) terminal lead
- (6) Battery