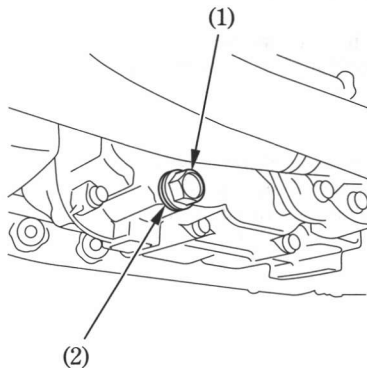
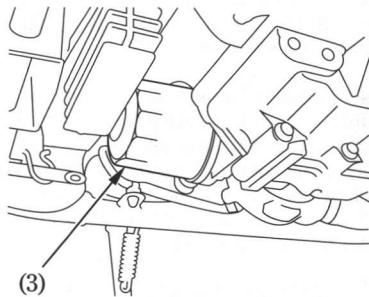


1. Place a drain pan under the crankcase.
2. To drain the oil, remove the oil fill cap/dipstick, oil drain plug (1) and sealing washer (2).



- (1) Oil drain plug
(2) Sealing washer

3. Remove the oil filter (3) with a filter wrench and let the remaining oil drain out. Discard the oil filter.



- (3) Oil filter