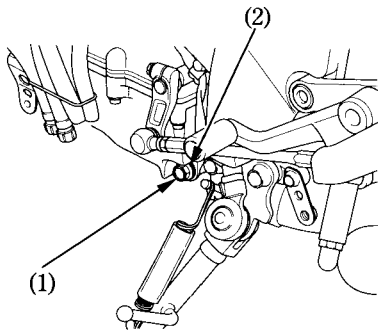
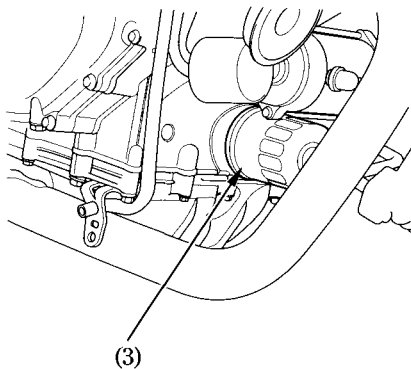


1. Remove the right and left lower cowl (page 56 ) and inner cowl (page 57 ).
2. To drain the oil, remove the oil filler cap and crankcase drain plug (1) and sealing washer (2).



3. Remove the oil filter (3) with a filter wrench and let the remaining oil drain out. Discard the oil filter.



(1) Crankcase drain plug    (2) Sealing washer

(3) Oil filter