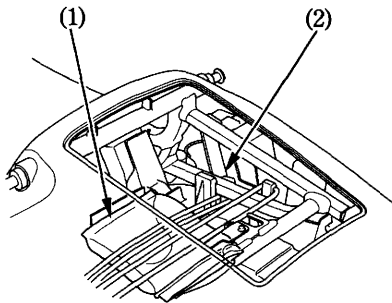


DOCUMENT BAG

The document bag (1) is in the document compartment (2) under the rear seat.

This owner's manual and other documents should be stored in the document bag. When washing your motorcycle, be careful not to flood this area with water.

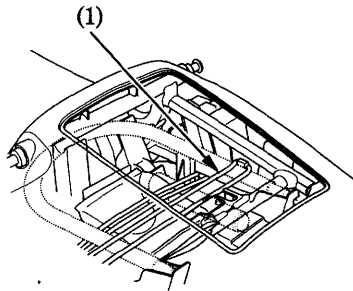


- (1) Document bag
- (2) Document compartment

STORAGE COMPARTMENT FOR U-SHAPED ANTI-THEFT LOCK

The rear fender has a storage compartment to store a U-shaped anti-theft lock under the rear seat. After storing, be sure to fasten the lock with the rubber band (1) securely.

Some U-shaped locks may not be stored in the compartment due to their size or design.



- (1) Rubber band