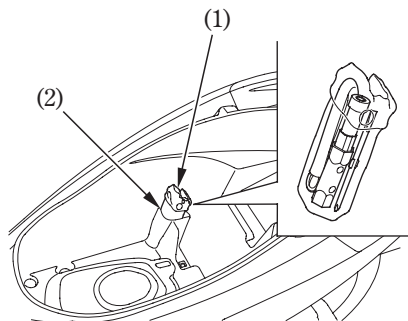




TOOL KIT

The tool kit (1) is in the tool kit compartment (2) under the seat (page 47). Some roadside repairs, minor adjustments and parts replacement can be performed with the tools contained in the kit.

- Standard/Phillips screwdriver
- Screwdriver handle
- Spark plug wrench
- Helmet wire
- Tool bag



- (1) Tool kit
- (2) Tool kit compartment

