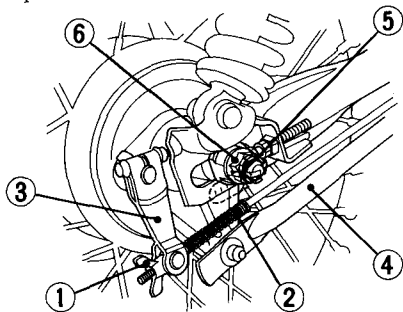


## Rear Wheel Removal

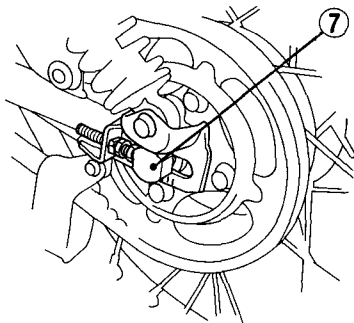
(Refer to the maintenance precautions on page 47).

1. Raise the rear wheel off the ground by placing a support under the engine.
2. Remove the rear brake adjusting nut (1), disconnect the brake rod (2) from the brake arm (3) by pushing down on the rear brake pedal.



- |                   |                 |
|-------------------|-----------------|
| (1) Adjusting nut | (4) Stopper arm |
| (2) Brake rod     | (5) Cotter pin  |
| (3) Brake arm     | (6) Axle nut    |

3. Disconnect the brake stopper arm (4) from the brake panel by removing the cotter pin, stopper arm nut, washer and rubber grommet.
4. Remove the cotter pin (5) and axle nut (6).
5. Pull out the axle (7).
6. Remove the rear wheel.



(7) Axle