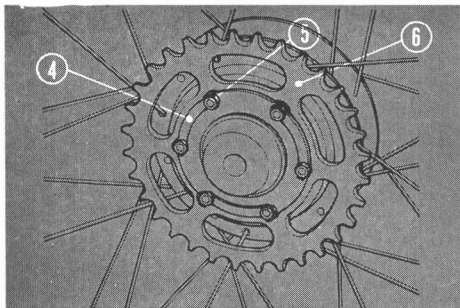


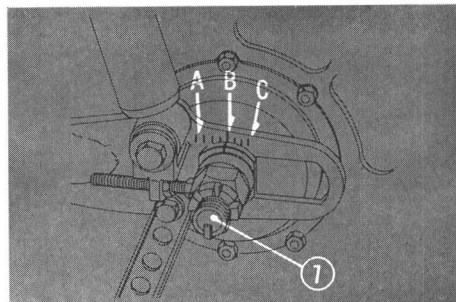
- Remove the rear wheel from the frame according to instructions on page 60~61. Straighten the tab of the lock nut washers ④ and unscrew the six lock nuts ⑤ securing the driven sprocket ⑥ and remove the driven sprocket.
- The drive sprocket and driven sprocket should be installed in the reverse order of 1. to 3. Make sure that each tab of the lock washers is bent toward nut head after tightening.



④ Lock nut washers      ⑤ Lock nuts  
⑥ Driven sprocket

- Rear axle ⑦ position varies with the number of the drive chain links. Install rear axle in position A when using a 98- or 100-link chain. Install it in position B when extending wheelbase and using a 100-link chain.

**NOTE:** If it becomes necessary to move the rear axle farther back than the applicable position indicated in the tables on pages 23 and 24, then the drive chain is excessively worn and should be replaced.



⑦ Rear axle