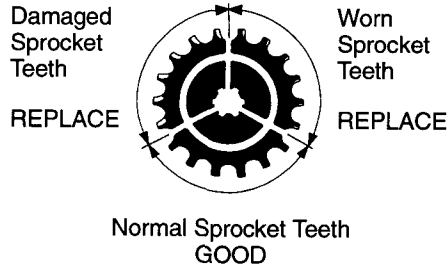


Drive Chain

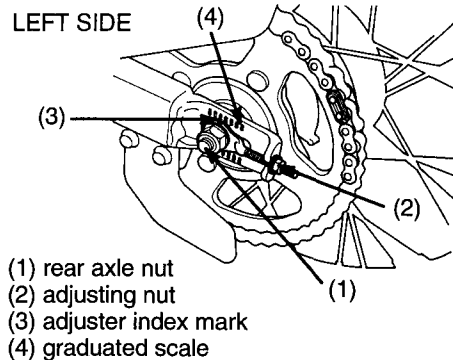
6. Inspect the front and rear sprocket teeth for excessive wear or damage. If necessary, have your Honda dealer replace a worn sprocket.



NOTICE

Use of a new chain with worn sprockets will cause rapid chain wear.

Adjustment



1. Loosen the rear axle nut (1).
2. Turn the adjusting nuts (2) on the right and left chain adjusters an equal number of turns to increase or decrease chain slack.