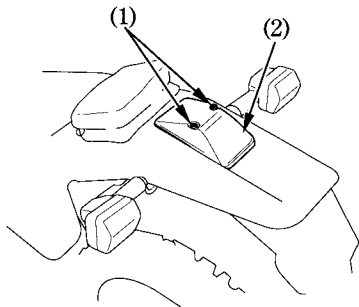


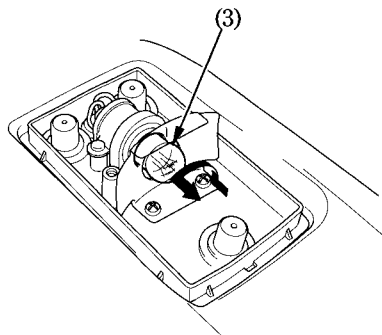
Stop/Taillight Bulb

1. Remove the two screws (1).
2. Pull off the lens (2) and replace the bulb (3) with a new one.



(1) Screws

(2) Lens



(3) Bulb