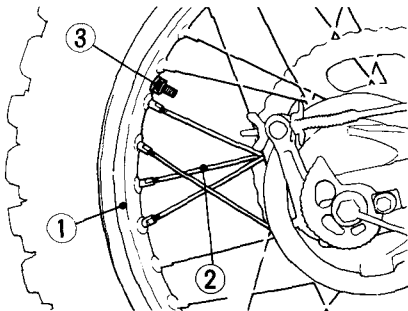


WHEEL SPOKES

(Refer to the maintenance precautions on page 52).

1. Inspect the wheel rims (1) and spokes (2) for damage.
2. Tighten any loose spokes and rim locks (3).
3. Check wheel rim runout. If runout is noticeable, see your authorized Honda dealer for inspection.



- (1) Wheel rim
(2) Spoke

(3) Rim lock

▲ WARNING

- * **Maintenance of spoke tension and wheel trueness are critical to safe motorcycle operation. During the first 350 km (200 miles), spokes will loosen more rapidly due to initial seating of parts. Excessively loose spokes may result in high speed instability and possible loss of control.**