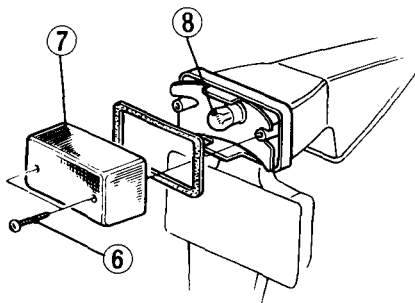


Taillight Bulb Replacement:

1. Remove the two screws (6) and remove the taillight lens (7).
2. Replace the bulb (8) with a new one.
3. Reinstall the lens.



(6) Screws
(7) Taillight lens

(8) Bulb