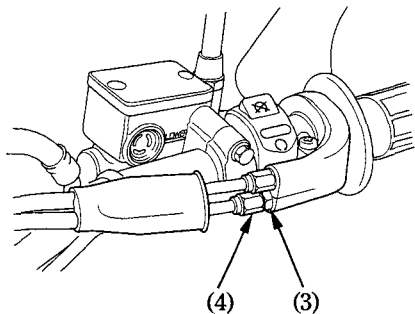


Major free play adjustments, such as after replacing the throttle cables or removing the carburetor, are made with the lower adjuster (2). Minor free play adjustments are made with the upper adjuster (4). To adjust free play, loosen the lock nut (1) or (3), and turn the adjuster (2) or (4). Tighten the lock nut after adjustment.



(3) Upper lock nut

(4) Upper adjuster