

BULB REPLACEMENT

Refer to the Safety Precautions on page 66 .

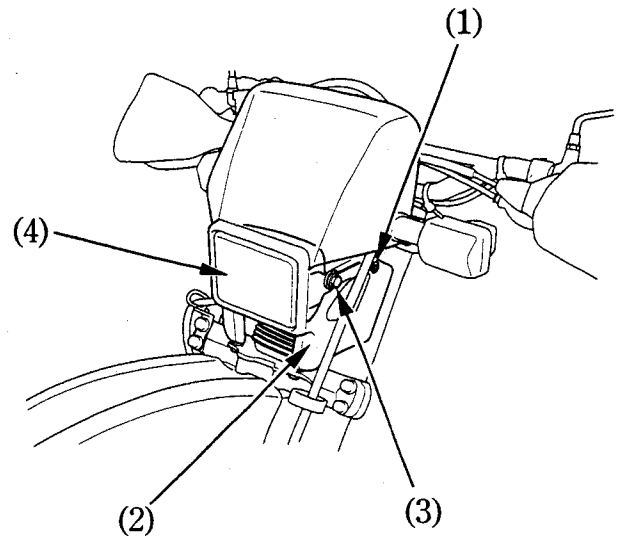
The light bulb becomes very hot while the light is ON, and remain hot for a while after it is turned OFF. Be sure to let it cool down before servicing.

The lighting equipment is not legal for highway use. Do not operate this motorcycle on public streets, roads or highways.

- Do not use bulbs other than that specified.
- After installing a new bulb, check that the light operates properly.

Headlight Bulb

1. Remove the mounting bolts (1) and remove the headlight case (2).
2. Remove the two bolts (3) and remove the headlight (4).



(1) Mounting bolts
(2) Headlight case

(3) Bolt
(4) Headlight