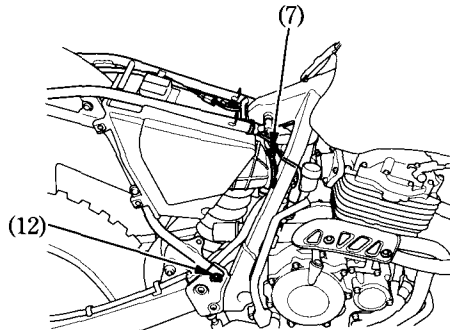


4. Loosen the screw (7) on the air cleaner connecting tube clamp and remove the air cleaner connecting tube from the carburetor.

CAUTION:

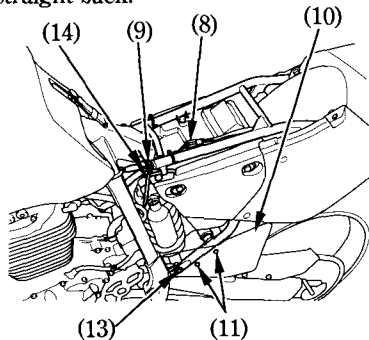
* Be careful not to allow dust into the carburetor, severe engine damage could result.



(7) Screw

(12) Subframe lower side bolt

5. Disconnect the electrical connectors (8).
6. Loosen the band and clip (9).
7. Remove the chain cover (10) by removing the two screws (11).
8. Remove the three subframe mounting bolts (12) (13) (14).
9. Remove the subframe by pulling it straight back.



- (8) Electrical connectors (9) Band and clip
(10) Chain cover (11) Screws
(13) Subframe lower side bolt
(14) Subframe upper bolt