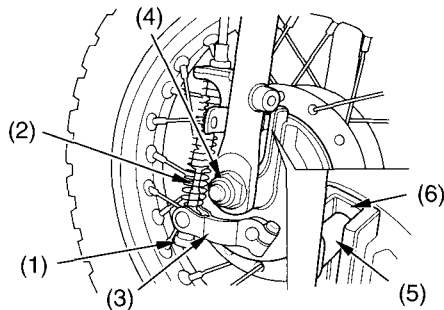


Wheels

3. Rotate the wheel slowly to see if it appears to “wobble.” If it does, the rim is out of round or not “true.” If the wobble is noticeable, see your Honda dealer for inspection.

Front Wheel Removal



- | | |
|-------------------------|--------------------|
| (1) brake adjusting nut | (4) front axle nut |
| (2) brake cable | (5) lug |
| (3) brake arm | (6) slot |

Removal

1. Raise the front wheel off the ground by placing a maintenance stand or support block under the engine. Secure the rear of the motorcycle with tie-down straps.
2. Remove the front fork protector (page 56).
3. Unscrew the front brake adjusting nut (1). Pull the front brake lever in and disconnect the brake cable (2) from the brake arm (3).
4. Remove the front axle nut (4) and front axle.
5. Remove the wheel.
6. Pull the brake assembly out carefully.