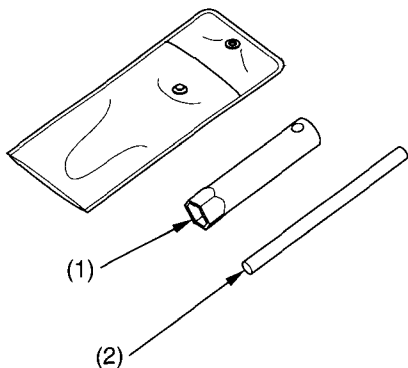


# Tools

---

Refer to *Safety Precautions* on page 45.



- (1) spark plug wrench
- (2) handle

The spark plug wrench ( 1 ) and its handle ( 2 ) are stored in the tool bag delivered with your motorcycle.

You will need to provide your own tools to perform any owner maintenance other than removing the spark plug.