

AIR CLEANER

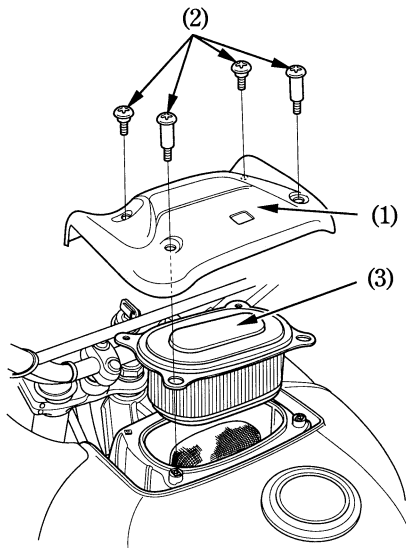
(Refer to the maintenance precautions on page 63).

The air cleaner should be serviced at regular intervals (page 57). Service more frequently when riding in unusually wet or dusty areas.

1. Remove the air cleaner housing cover (1) by removing the four screws (2).
2. Take out and discard the air cleaner (3).
3. Install a new air cleaner.

Use the Honda genuine air cleaner or an equivalent air cleaner specified for your model. Using the wrong Honda air cleaner or a non-Honda air cleaner which is not of equivalent quality may cause premature engine wear or performance problems.

4. Install the parts in the reverse order of removal.



(1) Air cleaner housing cover (3) Air cleaner
(2) Screws