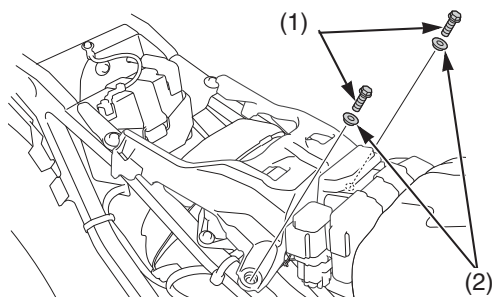


Refer to *Important Safety Precautions* on page 23.

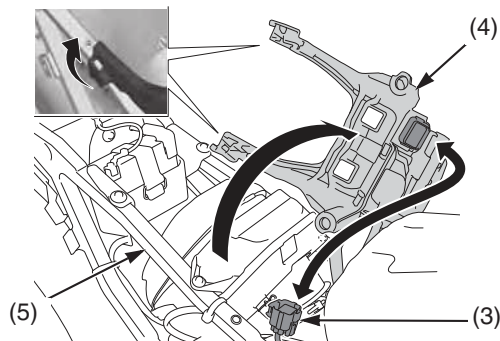
## Removal

1. Remove the seat (page 34).
2. Remove the right and left shrouds (page 35, page 37).
3. Remove the right and left mufflers (page 126).
4. Remove the right and left exhaust springs A, then remove the right and left muffler mounting A bolts (page 130). (CRF450RWE only)
5. Remove the seat support base mounting bolts (1), and collars (2).



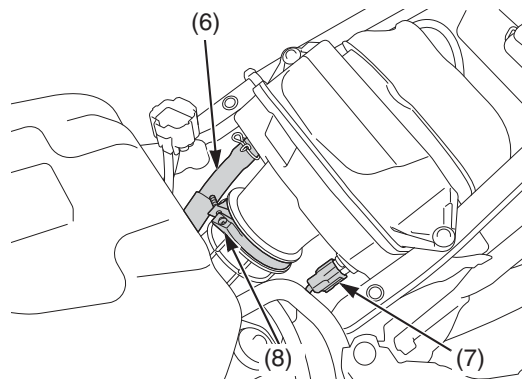
- (1) seat support base mounting bolts  
(2) collars

6. Disconnect the starter/ignition relay connector (3), lift the seat support base (4), and hang it to the left of the subframe (5).



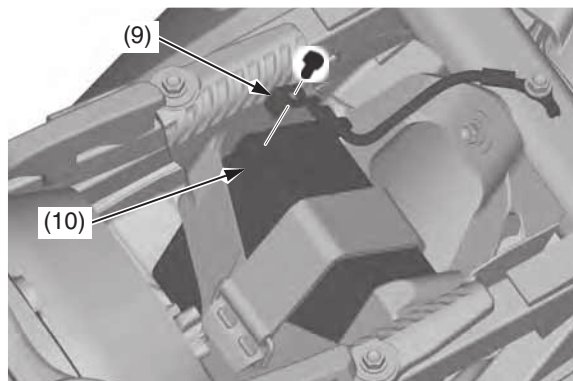
- (3) starter/ignition relay connector  
(4) seat support base  
(5) subframe

7. Disconnect the breather tube (6) and IAT sensor connector (7).
8. Loosen the air cleaner connecting tube clamp screw (8).



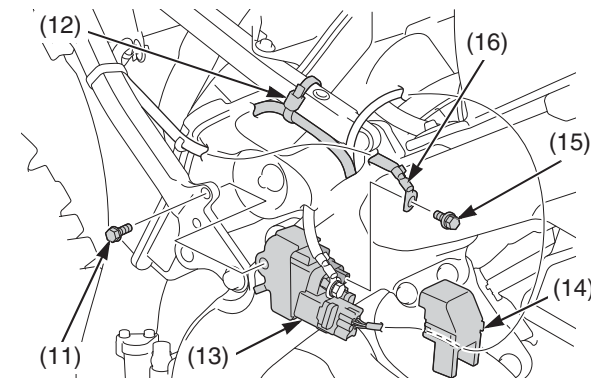
- (6) breather tube  
(7) IAT sensor connector  
(8) air cleaner connecting tube clamp screw

9. Disconnect the negative (-) terminal (9) from the battery (10).



- (9) negative (-) terminal  
(10) battery

10. Remove the start magnetic switch stay bolt (11) and plastic wire band (12). Pull out the start magnetic switch (13). Remove the start magnetic switch cover (14). Remove the battery cable terminal bolt (15) and disconnect the battery cable terminal (16) from the start magnetic switch.



- (11) start magnetic switch stay bolt  
(12) wire band  
(13) start magnetic switch  
(14) start magnetic switch cover  
(15) battery cable terminal bolt  
(16) battery cable terminal

(cont'd)