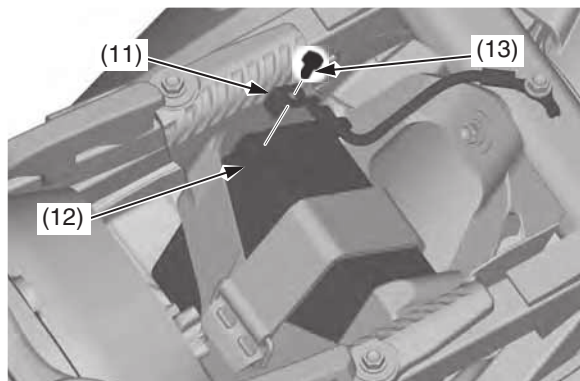
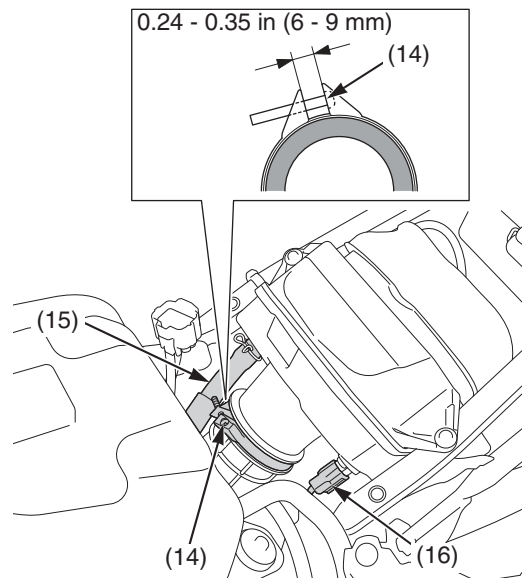


- Connect the negative (-) terminal (11) to the battery (12).
Tighten the negative (-) terminal bolt (13) to the specified torque:
1.5 lbf·ft (2.0 N·m, 0.2 kgf·m)



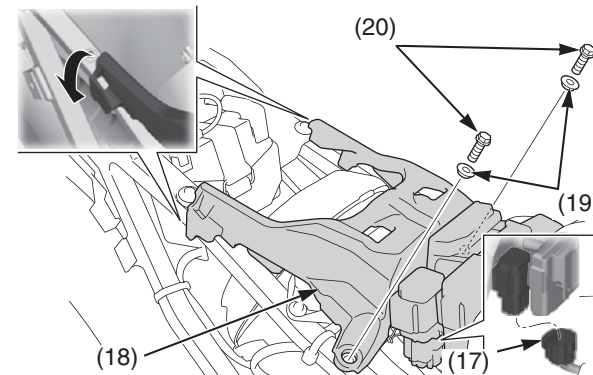
- (11) negative (-) terminal
- (12) battery
- (13) negative (-) terminal bolt

- Make sure that the air cleaner box and the air cleaner connecting tube are correctly connected and tighten the air cleaner connecting tube clamp screw (14) so the distance between the clamp ends is 0.24 - 0.35 in (6 - 9 mm).
- Connect the breather tube (15) and IAT sensor connector (16).



- (14) air cleaner connecting tube clamp screw
- (15) breather tube
- (16) IAT sensor connector

- Connect the starter/ignition relay connector (17) and install the seat support base (18).
- Install and tighten the collars (19), and seat support base mounting bolts (20) to the specified torque:
7 lbf·ft (10 N·m, 1.0 kgf·m)



- (17) starter/ignition relay connector
- (18) seat support base
- (19) collars
- (20) seat support base mounting bolts

- Tighten the right and left muffler mounting A bolts, and install the right and left exhaust springs A, (page 133). (CRF450RWE only)
- Install the left and right mufflers (page 127).
- Install the right and left shrouds (page 36, page 38).
- Install the seat (page 34).