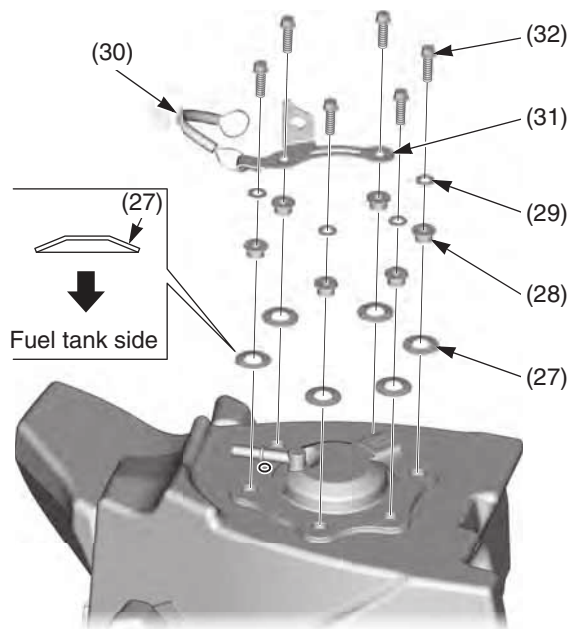


Fuel System (CRF450RX)

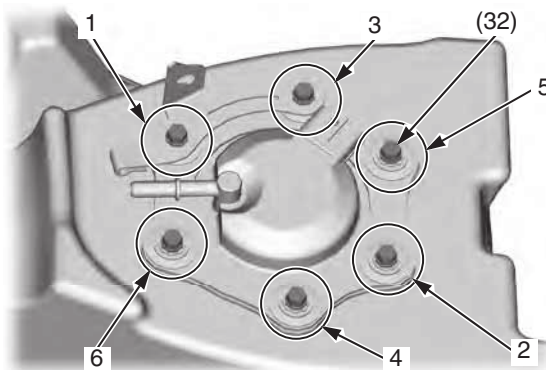
12. Install the conical spring washers (27), collars (28), washers (29), stopper cable (30), stopper cable guide (31) and fuel pump mounting bolts (32).

Make sure that the convex surfaces of the conical spring washers are up side.



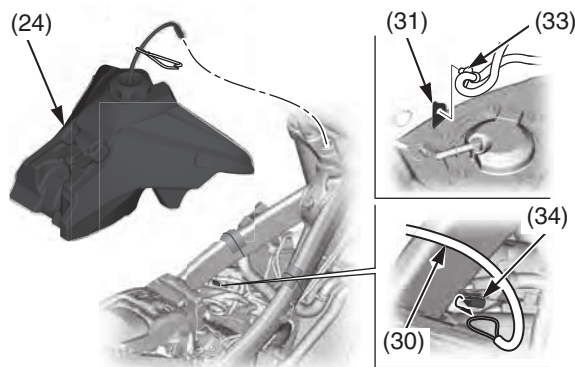
- (27) conical spring washers
- (28) collars
- (29) washers
- (30) stopper cable
- (31) stopper cable guide
- (32) fuel pump mounting bolts

13. Tighten the fuel pump mounting bolts (32) to the specified torque in the specified sequence as shown:
8 lbf-ft (11 N·m, 1.1 kgf·m)



(32) fuel pump mounting bolts

14. Install the harness band clip (33) to the stopper cable guide (31).
15. Install the stopper cable (30) to the hook (34) of the frame while holding the fuel tank (24).



- (24) fuel tank
- (30) stopper cable
- (31) stopper cable guide
- (33) harness band clip
- (34) hook

16. Connect the fuel line (page 44).
17. Increase the fuel pressure (page 51).