

Audio Systems

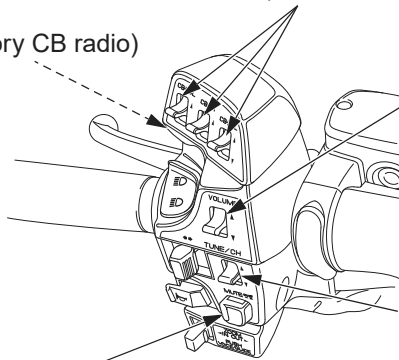
(Models equipped with Navigation System)

LEFT HANDLEBAR

CB radio levers
(for accessory CB radio)

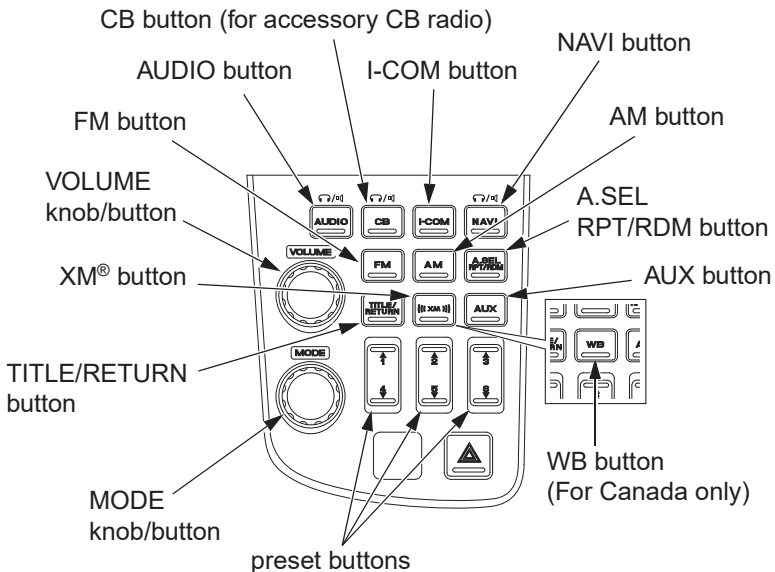
TALK lever
(for accessory CB radio)

VOLUME lever



TUNE/CH lever

MUTE button



The CB lever and button function when the Honda accessory CB radio is installed. For CB operating instructions, refer to the accessory manual.

For navigation system operating instructions, refer to the Navigation System Manual.