

## Shifting Gears (Continued)

### Changing between Neutral and AT MODE/MT MODE

#### Changing from Neutral (N) to AT MODE (D)

Press the D side of the N-D switch (1).

The D (AT MODE) indicator comes on, "1" is shown in the gear position indicator and first gear is selected.

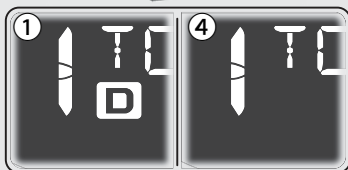
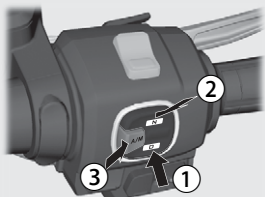
#### Changing from AT MODE or MT MODE to Neutral (N)

Press the N side of the N-D switch (2).

#### Changing between AT MODE and MT MODE

Press the A/M switch (3).

The D (AT MODE) indicator goes out while MT MODE is selected (4).



### Riding in MT MODE

Shift up and down with the shift up switch (+) and shift down switch (-).

The selected gear is shown on the gear position indicator.

- ▶ If the MT MODE is selected, the transmission does not shift up automatically. Do not allow the engine revs to go into the red zone.
- ▶ The transmission automatically shifts down when you slow down, even in MT MODE.
- ▶ You will start from 1st gear even if MT MODE is selected.

### Downshifting Blipping Control

In MT MODE, this system controls down shifting with the throttle completely closed by increasing engine revs automatically to match the gear ratio.

- ▶ This system may not increase engine revs in some running conditions.

### Gear shift operation

Shifting Up:

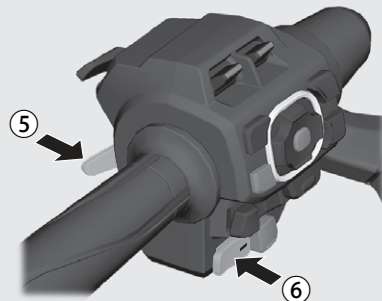
Press the shift up switch (+) (5).

Shifting Down:

Press the shift down switch (-) (6).

You cannot continue shifting gear by keeping the shift switch pressed.

To continue shifting gear release the switch and press it again.



### Shift Limit

You cannot downshift if the engine will exceed the rev limit.