

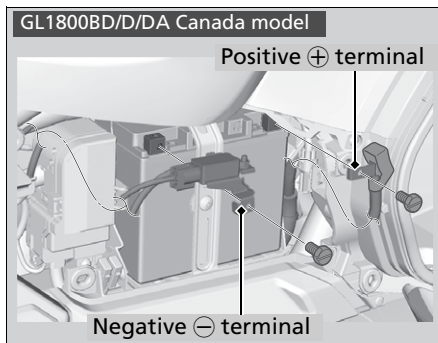
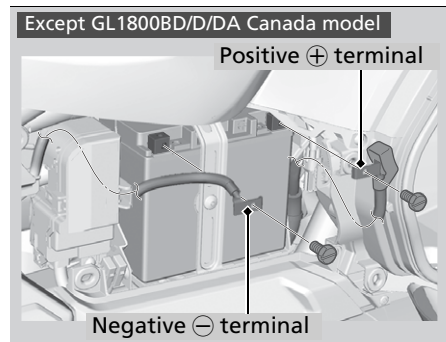
Battery

Removal

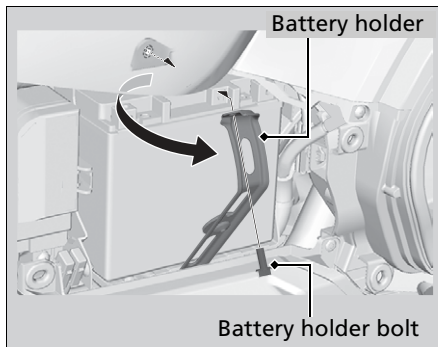
Make sure the ignition switch is turned to OFF.

After turning the ignition switch OFF, wait more than 60 seconds and then remove the negative cable of the battery. Because the electrical system may not function correctly.

1. Remove the left side cover. **P. 156**
2. Disconnect the negative \ominus terminal from the battery.
3. Disconnect the positive \oplus terminal from the battery.



4. Remove the battery holder bolt.
5. Swing the battery holder as shown to avoid interference against the seat.



6. Remove the battery holder from the hook.
7. Remove the battery taking care not to drop the terminal nuts.

