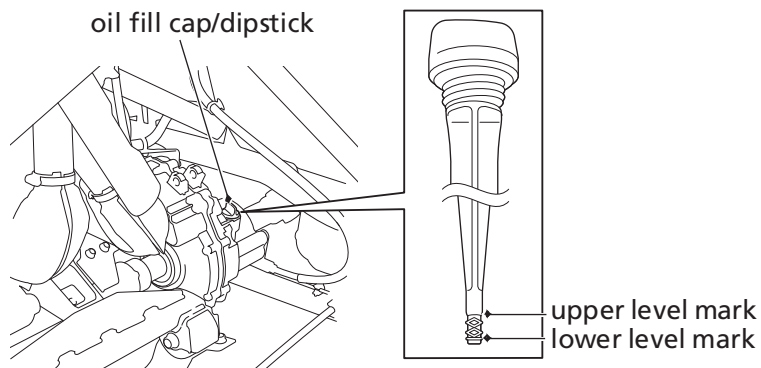


Sub-Transmission Oil

UNDER RIGHT REAR FENDER



4. If the oil level is near or below the lower level mark, add the specified oil into the oil fill cap hole, fill to the upper level mark on the dipstick. Do not over fill.
5. Reinstall the oil fill cap/dipstick.

NOTICE

Running the engine with an improper oil level can cause serious engine damage.