

Tires

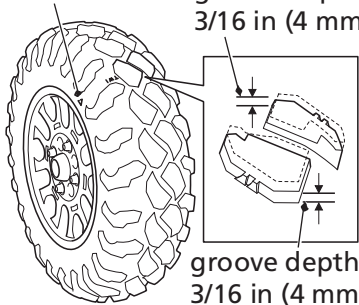
Also, if you hit a hard object while driving, stop as soon as you safely can and carefully inspect the tires for damage.

Tread Wear

FRONT

wear indicator
location mark

groove depth
3/16 in (4 mm)

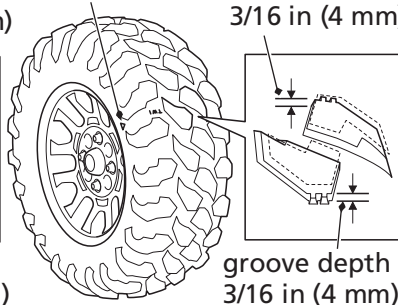


groove depth
3/16 in (4 mm)

REAR

wear indicator
location mark

groove depth
3/16 in (4 mm)



groove depth
3/16 in (4 mm)

To check the condition of a tire tread, measure the groove depth in the center of the tire, or check the wear indicator.

For best performance, you should replace a tire before the tread depth at the center reaches the following limits:

front	3/16 in (4 mm)
rear	3/16 in (4 mm)